

## D-SUB Machine Pin Solder Type

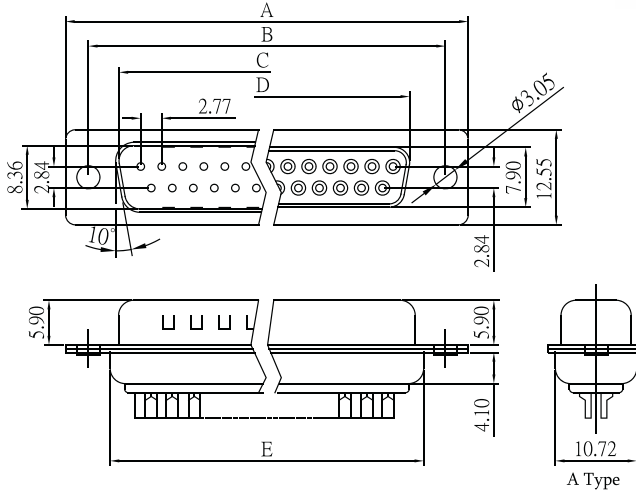
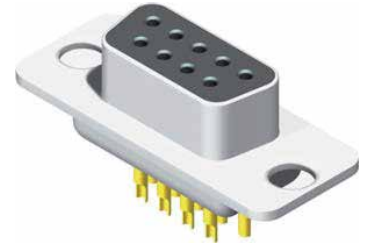
### Specifications

Current Rate:3 AMP  
 Insulation Resistance:1000MΩ Min.  
 Contact Resistance:20mΩ Max.  
 Dielectric Voltage:500V AC for one minute  
 Operation Temperature:-55°C to +105°C

### Material

Insulator:Polyester,UL 94V-0  
 ©Standard:PBT  
 Terminal:Copper Alloy.

No. of Contacts	Dim. A	Dim. B	Dim. C	Dim. D	Dim. E
9	30.81	24.99	16.92	16.33	19.20
15	39.14	33.32	25.50	24.66	27.70
25	53.04	47.04	38.96	38.38	41.10
37	69.32	63.50	55.42	54.84	57.30



## D-SUB Machine Pin Dip Type

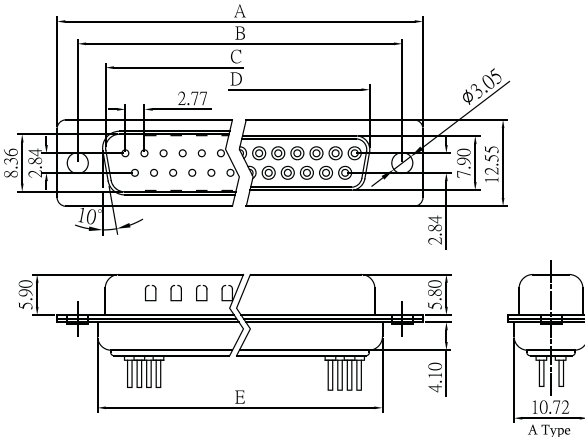
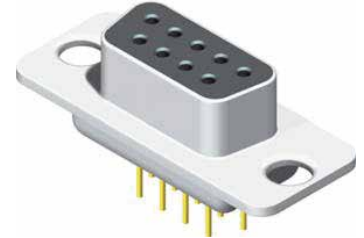
### Specifications

Current Rate:3 AMP  
 Insulation Resistance:1000MΩ Min.  
 Contact Resistance:20mΩ Max.  
 Dielectric Voltage:500V AC for one minute  
 Operation Temperature:-55°C to +105°C

### Material

Insulator:Polyester,UL 94V-0  
 ©Standard:PBT  
 Terminal:Copper Alloy.

No. of Contacts	Dim. A	Dim. B	Dim. C	Dim. D	Dim. E
9	30.81	24.99	16.92	16.33	19.20
15	39.14	33.32	25.50	24.66	27.70
25	53.04	47.04	38.96	38.38	41.10
37	69.32	63.50	55.42	54.84	57.30



## ORDER INFORMATION

